



Flexible Fire Sprinkler  
Stainless Drops  
for **Cleanroom  
Ceilings**

## Flexible Fire Sprinkler Stainless Drops for Cleanroom Ceilings

- Accelerates cleanroom installation and certification.
- Allows quick and easy relocations.
- Dissipates any vibration even during seismic activities.

MODEL

### DJ-32B-C

*It is for commercial not a reducer  
exclusive use of Clean-Room,  
so the assembly is easy and fast !*

MODEL

### DJ-32B-S

*Used in Clean-Room of semiconductor  
factory such as PDP, TFT, LCD, and etc...*

*Possible to be used with general sprinkler!*

MODEL

### DJ-32B-M

*Popular model used for the most  
in Clean-Room...*

*Can be used with general sprinkler!*

# Flexible Fire Sprinkler Stainless Drops

for Commercial suspended ceilings

*It is for commercial not a reducer  
exclusive use of Clean-Room,  
so the assembly is easy and fast !*

## MODEL DJ-32B-C

### Possible to be used in office, chemical plant, hospital, pharmaceutical company and etc.

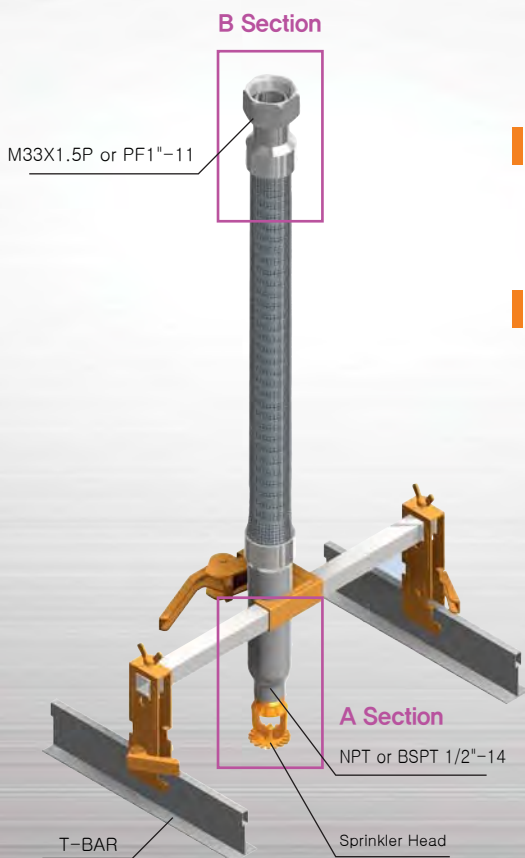
It is welded in general type and can be used also in ordinary office which quasi-Clean-Room type is needed.

### Customer can appoint the style of what they want

It can be produced like SGP in form of both-nut, one-way nut, and weld nipple.

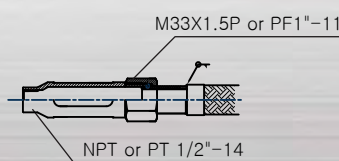
### Patented one-touch bracket

Made with 30 years accumulated Know-How of Daejin Corporation.



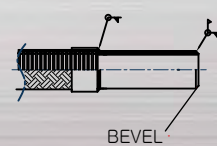
#### "A Section"

SLIP NUT or REDUCER WELD TYPE



#### "B Section"

SLIP NUT or NIPPLE WELD TYPE



# Flexible Fire Sprinkler Stainless Drops for Cleanroom Ceilings

Popular model used for the most in Clean-Room...  
Can be used with general sprinkler!

## MODEL DJ-32B-M

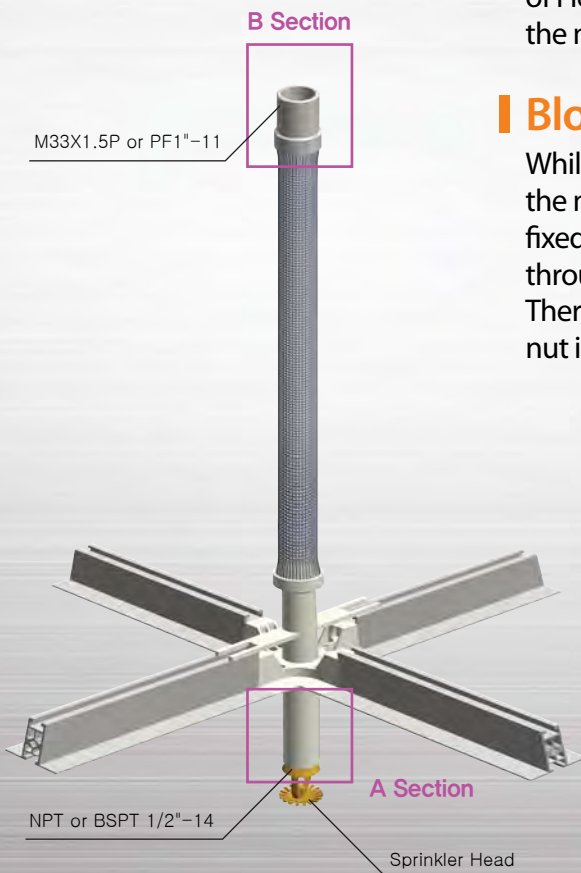
### Generally used for the most in Clean-Room

Reducer and Nipple are each welded at the end of both sides of Flexible Tube, and is the product that is used for the most generally.

### Block external air perfectly

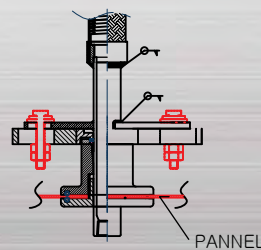
While setting Clean-Room ceiling panel, Reducer is inserted in the middle part of connection cross with grid and become fixed in both side fix-bracket, thus blocking external air through oring.

There are field welding type and built-up type using sleeve nut in joint of nipple.



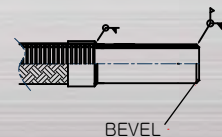
#### "A Section"

Mould bar or Mould Reducer Bracket customer chooses.



#### "B Section"

Sleeve nut or welded type nipples customer chooses.



# Flexible Fire Sprinkler Stainless Drops for Cleanroom Ceilings

Used in Clean-Room of semiconductor factory such as PDP, TFT, LCD, and etc...

Possible to be used with general sprinkler!

## MODEL DJ-32B-S

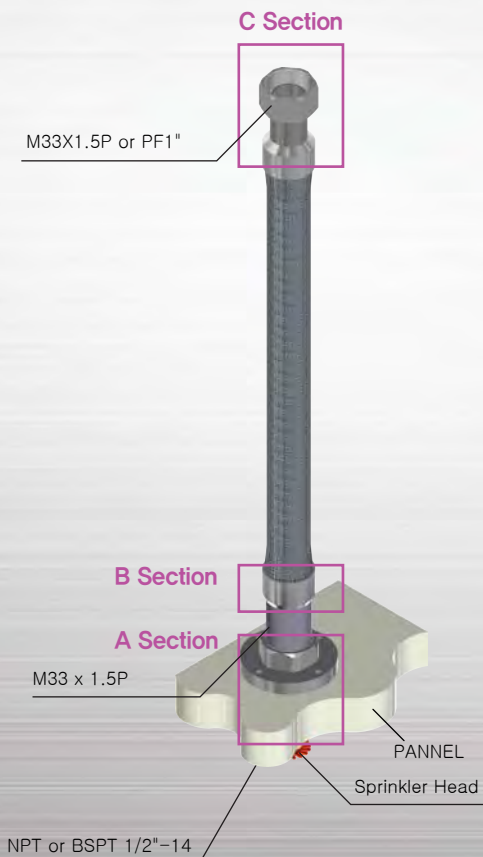
### SGP Panel Type – New Type

It can be used in panel thickness from 15T to 150T. Setting is convenient than the old type, so the time can be saved. It is graceful after setting and is produced in sleeve nut type and welded type after order by user.



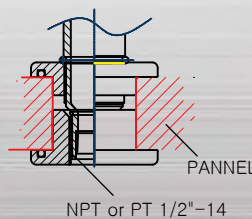
### SGP Panel Type – Old Type

It can be used in panel thickness from 15T to 150T. Setting is convenient, and is produced by order of user in sleeve nut type and welded type.



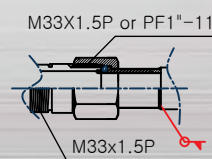
#### "A Section"

Wing Nut or SGP Bracket customer chooses.



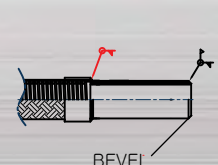
#### "B Section"

Sleeve nut or welded type customer chooses.



#### "C Section"

Sleeve nut or welded type nipples customer chooses.





# APPROVAL REPORT

- Accelerates cleanroom installation and certification.
- Allows quick and easy relocations.
- Dissipates any vibration even during seismic activities.

## DJ-32B-C Automatic Sprinkler Systems / Flexible Sprinkler Hose with Fittings / for Commercial Suspended Ceilings

NPT / BSPT in.	k-Factor	Minimum Bend Radius in. (mm)	Number of Bends	Rated Working Pressure psi (kPa)	Hose Assembly length in (mm)	Equivalent Length of 1 in. Schedule 40 Pipe, ft (m)
1/2	5.6	8 (203)	1	175 (1205)	24 (610)	8.8 (2.2)
1/2	5.6	8 (203)	2	175 (1205)	31.2 (792)	14(4.3)
1/2	5.6	8 (203)	2	175 (1205)	36 (915)	17.5 (5.3)
1/2	5.6	8 (203)	3	175 (1205)	48 (1220)	26.3 (8)
1/2	5.6	8 (203)	4	175 (1205)	60 (1525)	31.4 (9.5)
1/2	5.6	8 (203)	4	175 (1205)	72 (1830)	36.6 (11.1)

## DJ-32B-M Automatic Sprinkler Systems / Flexible Sprinkler Hose with Fittings / for Clean Room Ceilings

NPT / BSPT in.	k-Factor	Minimum Bend Radius in. (mm)	Number of Bends	Rated Working Pressure psi (kPa)	Hose Assembly length in (mm)	Equivalent Length of 1 in. Schedule 40 Pipe, ft (m)
1/2	5.6	8 (203)	1	175 (1205)	24 (610)	11.9 (3.6)
1/2	5.6	8 (203)	2	175 (1205)	31.2 (792)	14.7 (4.5)
1/2	5.6	8 (203)	2	175 (1205)	36 (915)	16.5 (5)
1/2	5.6	8 (203)	3	175 (1205)	48 (1220)	21.2 (6.5)
1/2	5.6	8 (203)	4	175 (1205)	60 (1525)	27.3 (8.3)
1/2	5.6	8 (203)	4	175 (1205)	72 (1830)	33.4 (10.1)

## DJ-32B-S Automatic Sprinkler Systems / Flexible Sprinkler Hose with Fittings / for Clean Room Ceilings

NPT / BSPT in.	k-Factor	Minimum Bend Radius in. (mm)	Number of Bends	Rated Working Pressure psi (kPa)	Hose Assembly length in (mm)	Equivalent Length of 1 in. Schedule 40 Pipe, ft (m)
1/2	5.6	8 (203)	1	175 (1205)	24 (610)	11.9 (3.6)
1/2	5.6	8 (203)	2	175 (1205)	31.2 (792)	14.7 (4.5)
1/2	5.6	8 (203)	2	175 (1205)	36 (915)	16.5 (5)
1/2	5.6	8 (203)	3	175 (1205)	48 (1220)	21.2 (6.5)
1/2	5.6	8 (203)	4	175 (1205)	60 (1525)	27.3 (8.3)
1/2	5.6	8 (203)	4	175 (1205)	72 (1830)	33.4 (10.1)

